

PULSAFEEDER®

Chemical solution and slurry metering pumps designed, engineered, and built to last. The pump case is molded of a rugged, chemical resistant ABS. Mounting pads and a built-in wall mounting bracket allow a choice of flat surface or wall mounted installation.

The thermal or impedance protected gear motor is safe, quiet and dependable. All metal gearing parts are heat-treated and the output shaft is supported by heavy-duty bearings.

The feeder head is molded of UV and acid resistant polycarbonate and is designed to snap on and off without tools.

A 10-minute solid-state electric current interrupter is a standard feature, built into every MEC-O-MATIC Dolphin Series pump.



OPERATING BENEFITS

- Quick-release twist off head
- Clear polycarbonate, acid-resistant head
- Self-lubricating chemical resistant roller assembly
- Durable, long-lasting tubing with no tube adjustment
- Impedance protected gearmotor is safe, quiet and dependable
- Metal gearing parts are heat treated and output shaft supported by heavy duty bearings

CONTROLS



- On/Off Switch
- 10 minute solid state electronic current interrupter



Contact factory
for applicable
agency approvals.

MEC-O-MATIC

Dolphin Peristaltic Metering Pumps

SPECIFICATION AND MODEL SELECTION

MODEL		UD10	UD50	UD75
Nominal Feed Rate	GPD	13	60	97
	LPH	1.75	8.7	12.4
CC per Minute	60 Hz	34	158	255
	50 Hz	29	145	212
Rev per Minute		10	50	75
Pressure (Max)	PSIG	25		
	BAR	1.72		
Head	Tubing	0.25" ID x 0.44" OD		
Connections	Tubing	0.17" ID x 0.25" OD		

ENGINEERING DATA

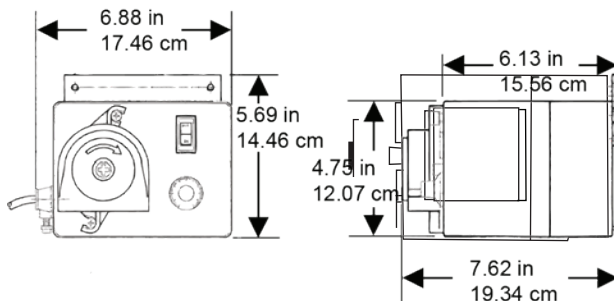
Pump Head Materials	Chemical Resistant Resin
Pump Head Tubing	Synthetic Rubber
Injection Fitting (Standard w/check Vlv)	PVC
Strainer	FPP
Tubing	PE
Pump Housing	Chemical Resistant Resin
Power Input	
	115 V 60 HZ
	230 V 50-60 HZ
Average Current Draw	
@ 115 VAC Amps	
Model UD10	0.42 Amps
Model UD50	0.62 Amps
Model UD75	0.72 Amps
@ 230 VAC Amps	
Model UD10	0.30 Amps @60 Hz / 0.35 Amps @50Hz
Model UD50	0.34 Amps @60 Hz / 0.40 Amps @50Hz
Model UD75	0.36 Amps @60 Hz / 0.42 Amps @50Hz
Approvals	Conforms to ANSI/NSF STD. 50: Equipment for swimming pools, spas, hot tubs, and other recreational water facilities
Shipping Weight	7 lbs

Important: Material Code - PVC=Polyvinyl Chloride, PE=Polyethylene

TYPICAL INSTALLATION



DIMENSIONS



27101 Airport Road
Punta Gorda, FL 33982
Tel: (941) 575-3800
Fax: (941) 575-4085
www.pulsatron.com



An ISO Certified Company

IBEX
MOM003 H21