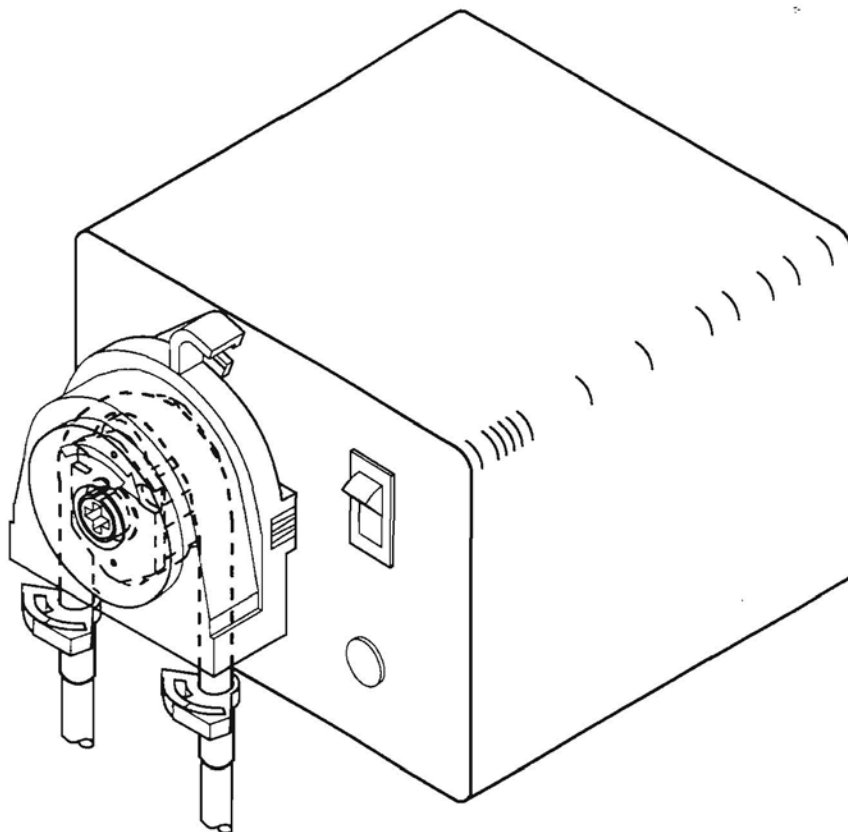


VSP SERIES

Installation, Operation and Maintenance Manual



VARIABLE SPEED PERISTALTIC METERING PUMPS VSP-12 and VSP-20 Models

**READ ALL WARNINGS CAREFULLY BEFORE
INSTALLING PUMP**

PUMP DATA/SPECIFICATIONS

Fill in information from pump data label

Series: _____

Serial #: _____

Model #: _____

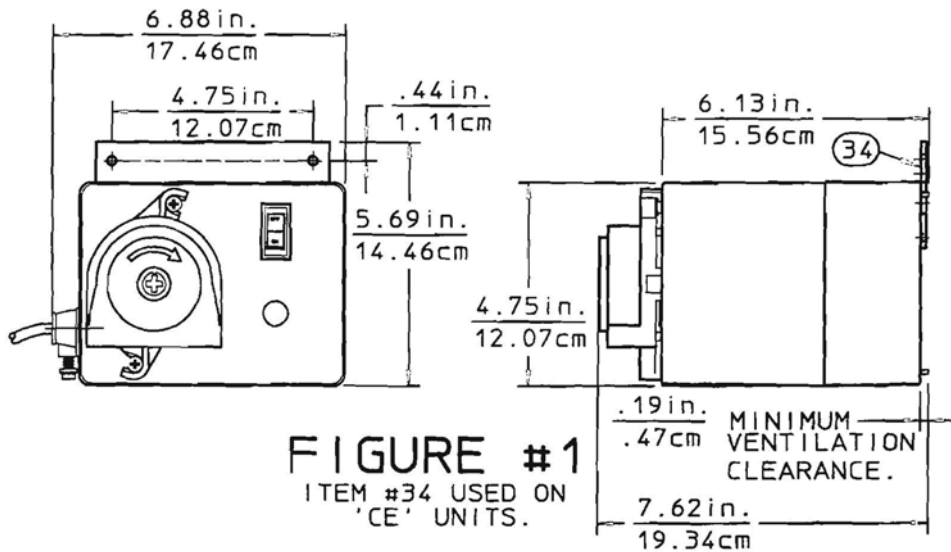
Nominal output: _____

Maximum pressure: _____

Volts/Hz/Amps/Phase: _____

KOPkit® #: _____

Tubing material/size: _____



WARRANTY:

The manufacturer warrants its equipment of its manufacture to be free of defects in material or workmanship. Liability under this policy extends to eighteen (18) months from the date of purchase or one (1) year from date of installation or whichever comes first. The manufacturer's liability is limited to repair or replacement of any device or part, which is returned, prepaid, to the factory and which is proven defective upon examination. This warranty does not include installation or repair costs and in no event shall the manufacturer's liability exceed the selling price of such part.

The manufacturer disclaims all liability for damage to its products through improper installation, maintenance, use or attempts to operate such products beyond their functional capacity, intentionally or otherwise, or any unauthorized repair. Replaceable elastomeric parts are expendable and are not covered by any warranty either expressed or implied. The manufacturer is not responsible for consequential or other damages, injuries or expense incurred through use of its products.

The above warranty is in lieu of any other warranty, either expressed or implied. The manufacturer makes no warranty of fitness or merchantability. No agent of ours is authorized to make any warranty other than the above


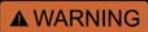

VSP SERIES

TABLE of CONTENTS

Safety Instructions	3
Technical specifications.....	4
Material of Construction.....	4
Installation.....	4
Operation	5
Maintenance	6

SAFETY INSTRUCTIONS

READ ALL INSTRUCTIONS PRIOR TO USE

- ***  : Secure chemicals and metering pumps, making them inaccessible to children and pets.
- *** **DO NOT PUMP FLAMMABLE LIQUIDS.**
- *** To reduce risk of electric shock before maintenance, repair, or moving pump, disconnect power cord and de-pressurize system and drain chemical.
- *** Do not cut the plug or ground lug off the electrical cord. Consult a licensed electrician for proper installation.
- **  : Always wear protective clothing, including gloves and safety glasses, when working on or near chemical metering pumps.
- ** Inspect tubing regularly for cracking or deterioration and replace as necessary. **(Always wear protective clothing and safety glasses when inspecting tubing.)**
- ** Use **CAUTION** to keep fingers away from rotating parts.
- ** If pump is exposed to direct sunlight, use a UV resistant tubing.
- ** Follow directions and warnings provided from the chemical manufacturer. The user is responsible for determining the chemical compatibility with the chemical feed pump.
- ** Make sure the voltage on the pump name tag matches the installation voltage. If pump fails to start, check line voltage.
- ** Consult with local health officials and/or qualified water conditioning specialists when treating potable water.
- ** Always depressurize system prior to installation or disconnecting the metering pump tubing.
- ** If injection point is lower than the chemical tank and pump, install an anti-siphon valve.
- ** **DO NOT MODIFY PUMP.** This poses a potentially dangerous situation and will void the warranty.
- *  : All pumps are factory tested with water. Remove tubing and thoroughly dry if the chemical being pumped will react with water (i.e., sulfuric acid).
- * Hand tighten plastic connections **(Do not use wrench).**
- * Consult licensed plumber and electrician before installation to conform to local codes.

NOTE: For accurate volume output, pump must be calibrated under all operating conditions.

TECHNICAL SPECIFICATIONS

Feed Rate: Refer to name plate.

* Model VSP-12: 1.6 to 12-gal/day (6 to 45.4-LPD).

Tube size: 38in. -O.D. x .19in. -I.D.

Model VSP-20: 2.6 to 20-gal/day (9.8 to 75.7-LPD).

Tube size: 44in. -O.D. x .25in. -I.D.

'*' Denotes approximate feed rates. Actual output
Must be measured at time of application,

Dimensions: See Figure 1 on page 2.

Electrical rating: Refer to name plate.

Maximum Ambient Temperature: 104°F (40°C).

Maximum Pressure: 25psi (1.76-kPa).

MATERIAL OF CONSTRUCTION

Pump Head: Chemical Resistant Polycarbonate Resin.

Pump head Tubing: Norprene (standard) or Viton or Silicon.

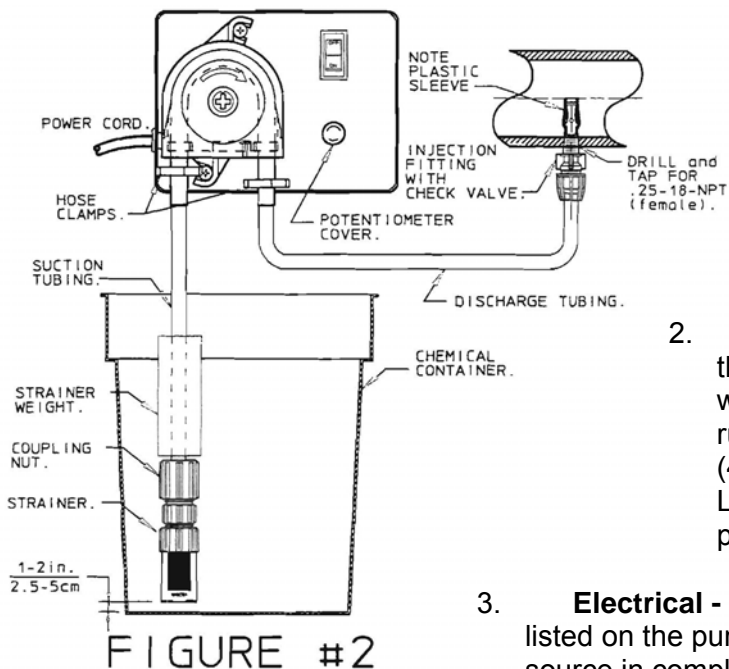
Injection fitting (standard w/check valve): PVC (standard).

Strainer: FPP (standard).

Suction/Discharge Tubing: Polyethylene (standard).

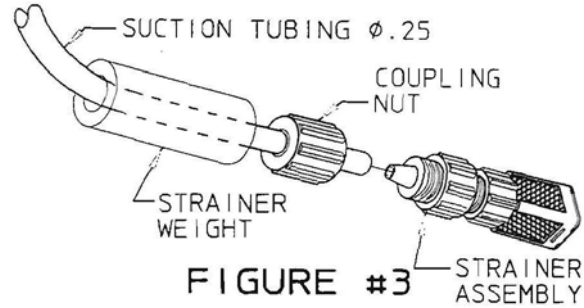
Pump Housing: Chemical Resistant Resin.

INSTALLATION



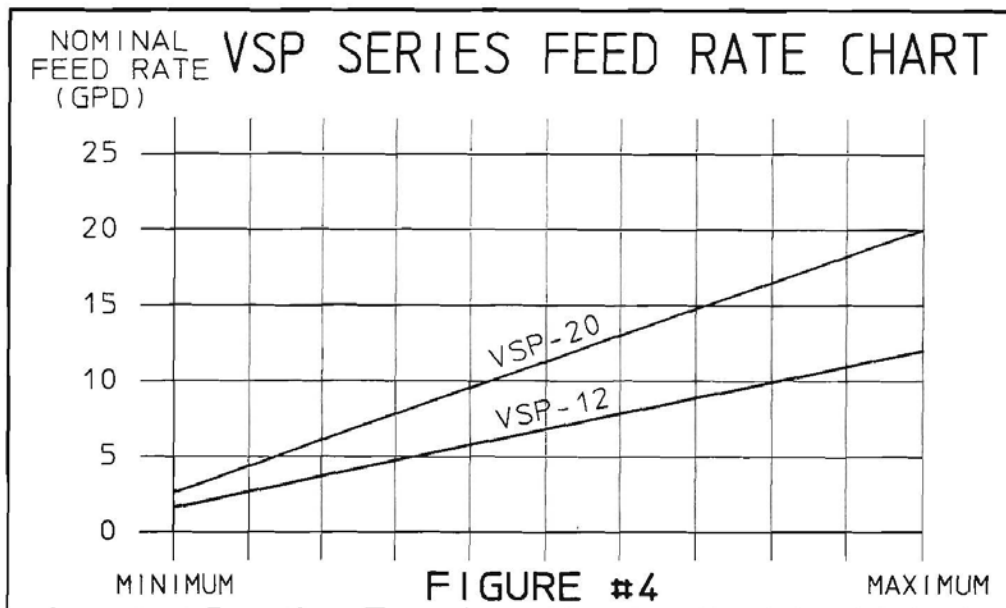
- Mounting:** Locate the feeder so there is direct access to the power cord plug.
CAUTION: DO NOT POSITION SO THAT COOLING VENTS IN THE REAR OF THE CASE ARE OBSTRUCTED, .19in. (4.7mm) minimum ventilation clearance is required, see Figure 1.
- Alternate Mounting** (not approved for 'CE'): Set the feeder on a flat level surface that will support its weight. The feeder should be mounted on its 4(four) rubber feet (or use keyholes on back for wall mounting (4.75in. (12.07cm) typical spacing), see Figure 1. Locate the feeder so there is direct access to the power cord plug.
- Electrical** - Verify the electrical requirements for the pump as listed on the pump data label and connect to an appropriate electrical source in compliance with local codes for the specific application.
- Injection Fitting** - Relieve system pressure in the drain piping run where the injection fitting is to be installed. See Figure 2. **The injection fitting must not be installed in a dead end pipe or a deeply recessed tee. It should be installed so as to place the tip at the center of the fluid stream.** The injection fitting has .25-18 NPT (female) threads. If necessary drill a .44in.-diameter hole and using care not to tap to deeply, tap for .25-18 NPT. Apply Teflon tape to the injection fitting threads and install into piping system. **DO NOT REMOVE THE PLASTIC SLEEVE ON THE TIP OF THE FITTING.** It is a functional part.
CAUTION: Inspect piping system and eliminate piping cross-connections to prevent feeding chemical to areas not needing treatment.

5. **Suction and Discharge Tubing** - Take the 15-ft (4.5m) length of .25in.-diameter tubing included, measure and cut the lengths needed to run from the pump head to the injection fitting, and to the chemical tank (Figure 2). Cut the tubing ends square
6. Refer to maintenance section to install the pump head tubing.
7. **Connect discharge tubing to the injection fitting.** Remove the injection fitting nut slide it over the end of the tubing, see Figure 3. Push the end of the tubing onto the injection fitting. Note: Immerse tubing in hot water to soften prior to pushing on fitting. Turn on and tighten the nut firmly, **Hand tighten only do not use wrenches.**
8. **Connect suction tubing to strainer** - Install strainer so it is off the bottom of the chemical container 1-2 inches (2.5-5cm) see Figure 2. Measure suction tubing length required. Cut tubing end square and install on suction fitting of the pump. **Hand tighten only do not use wrenches.**



OPERATION

1. Fill the chemical tank with the chemical you will feed.
2. Turn the feeder switch on to start the pump. It will begin to feed chemical into the system when all tubing has filled.
3. **Set the feed percentage adjustment knob** - Remove hole cover (item 9) and turn the potentiometer shaft to vary motor RPM to achieve the desired feed rate, reference feed rate chart shown in Figure 4. For example, to feed approximately 6 gallons (22.7-liters) per day with the VSP-12, set the potentiometer shaft approximately in the center of its range.



NOTE: To get actual feed rates for specific settings, actual output must be verified by measuring volume output. Use the flow chart as a guide (Figure 4). To get actual feed rate for specific setting each pump must be calibrated for its flow. As with any peristaltic pump output varies with pressure and tubing condition. It is recommended that feed rate be verified at every tubing change and after every 250 hours. More critical applications require more frequent verification.

MAINTENANCE

NOTE: NO USER SERVICEABLE COMPONENTS INSIDE ENCLOSURE. SHOULD THE POWER SUPPLY CORD BECOME DAMAGED, IT MUST BE REPLACED BY PULSAFEEDER or ITS REPRESENTATIVES or A SIMILARLY QUALIFIED PERSON IN ORDER TO AVOID A HAZARD.

⚠ DANGER: Do not attempt to feed chemicals without consulting your chemical feeder dealer or chemical supplier.

Filling the chemical tank - To avoid running out of chemical, follow a regular schedule of monitoring chemical supply. Also inspect and clean the strainer by flushing with a compatible liquid, as needed. **⚠ CAUTION:** Inspect peristaltic tubing frequently and replace when deterioration becomes apparent. Peristaltic tubing will eventually wear and break if neglected. This occurrence will cause chemical spillage and potential for personal injury or damage to equipment. If a potential hazardous or corrosive chemical is handled, take precautions to prevent personal injury and damage in the event of tubing failure. Refer to chemical manufacturer's recommendations with regard to safety and handling precautions. Always wear protective clothing and safety glasses when working near chemical feed systems.

⚠ CAUTION: Do not expose pump head tubing to pressure over 25-PSIG (1.76-kPa).

Tubing inspection: inspect all tubing regularly and replace it if deteriorating. Use the following instructions to replace the pump head tubing.

Replacing pump head tubing:

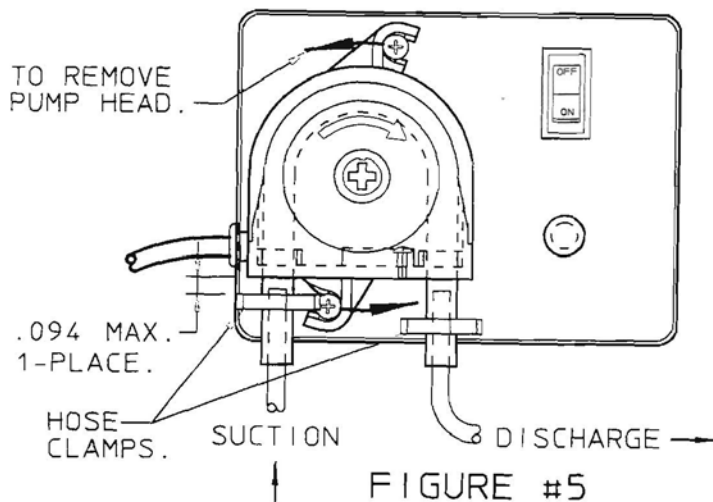
⚠ CAUTION: Wear protective gloves, goggles, and other adequate protection for the chemical hazard. Before replacing the pump head, remove chemical from tubing as follows: Remove strainer from chemical tank, then run feeder until all chemical is removed from the tubing.

1. Remove the hose clamps from the tubing at the pump head (twist clamp to disengage teeth).
2. Pull the suction and discharge tubing from the pump head tubing.
3. Rotate the pump head counter-clockwise (see arrows in Figure 5) to disengage from the collars on the feeder cover. DO NOT REMOVE or LOOSEN COLLAR SCREWS.

4. Grasp the tabs on the back cover of the pump head and pull straight out to remove, see Figure 7. **⚠ CAUTION:** Do not lose the bearing from the center hole in the back cover. It's not necessary to remove the spider and bearing from the housing.

5. Remove the old tubing and retaining tube collars from the pump head (see Figure 6).
6. Position the spider about as shown in Figure 6. Then put the retaining collar on the pump head tubing as shown, and position the collar in the pump head with the open end facing outward.

7. While rotating the spider counter-clockwise (←), push the tubing into the housing to center over the rollers as shown in Figure 6.



MAINTENANCE (continued)

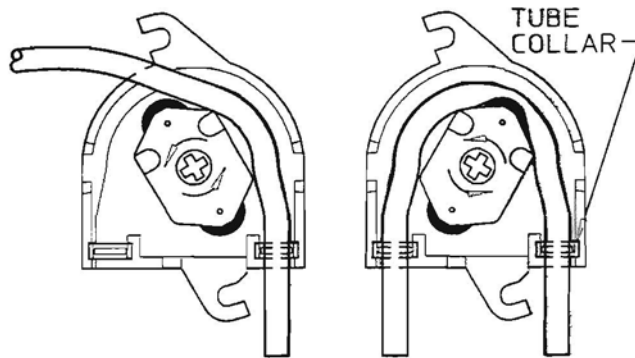


FIGURE #6

8. Replace the back cover on the pump head. **Be sure it fits tightly against and flush with the housing (Figure #7).**

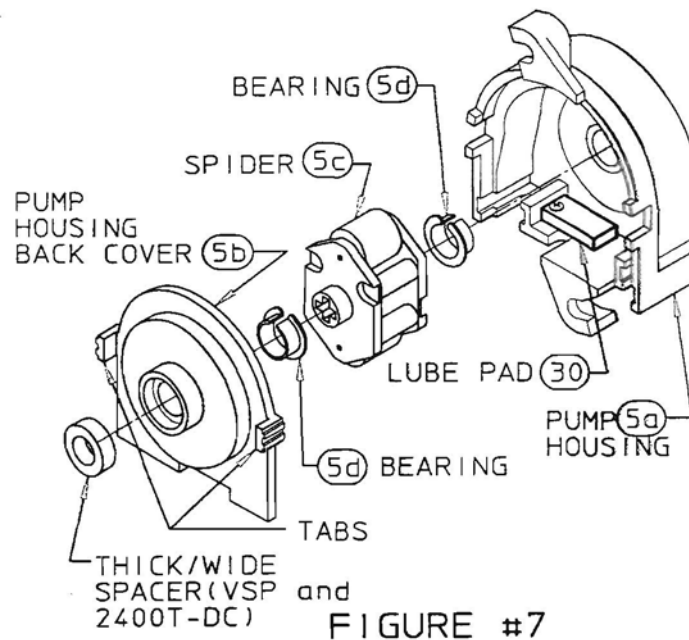
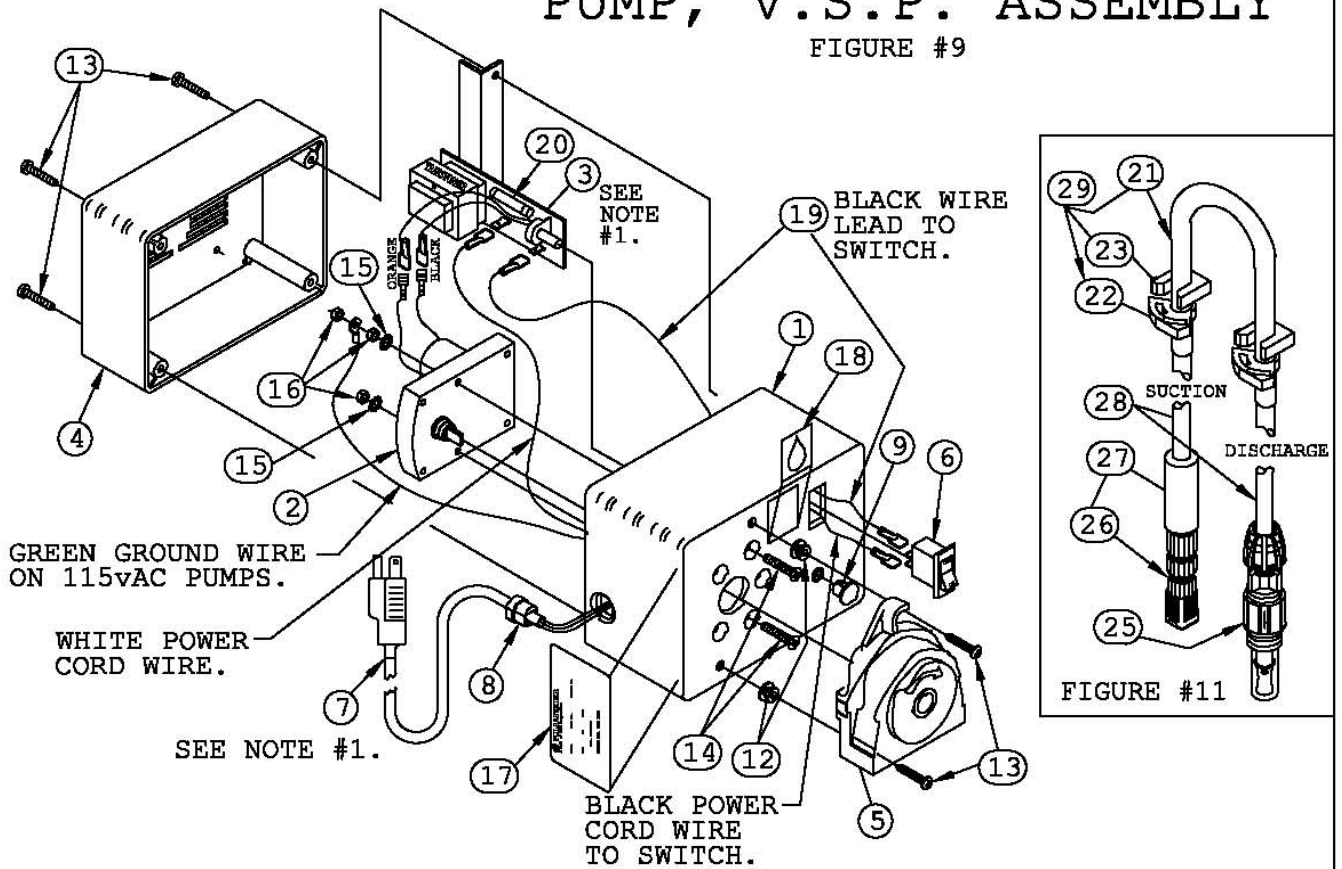


FIGURE #7

9. Slide the pump head onto the motor drive shaft and turn it clockwise to lock onto the 2 (two) locking collars.
10. Push the suction tubing and discharge tubing into the pump head tubing (Figures 5 and 11). Do not push tubing past retaining collars. Install a hose clamp to hold the tubing together. Use pliers to squeeze the clamp tightly. **CAUTION:** Hose clamps must be tightened securely to prevent leakage, except when using .13in.-I.D. Norprene tubing with barb fittings (no clamps).

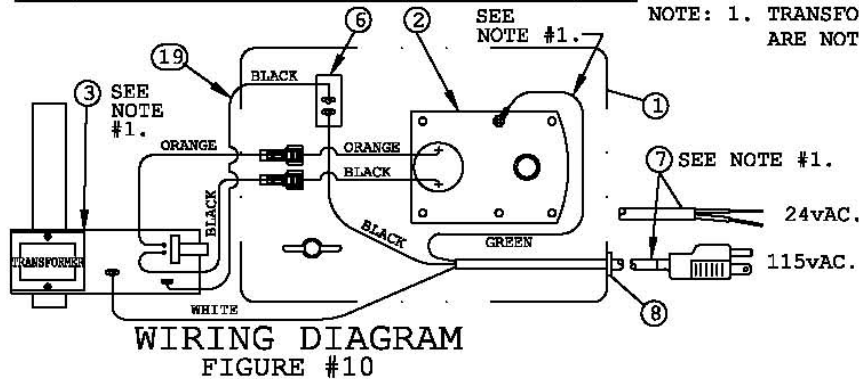
PUMP, V.S.P. ASSEMBLY

FIGURE #9



ITEM	DESCRIPTION	PART#	QTY	ITEM	DESCRIPTION	PART#	QTY
1	PUMP HOUSING (FRONT)	U0819142	1	17	LABEL, SERIAL	U0817681	1
2	MOTOR	U0818679	1	18	LABEL, MOM TEARDROP	U0817935	1
3	CIRCUIT BOARD (24vAC)	U0818305	1	19	LEAD ASS'Y (BLACK)	L9710200-000	1
	CIRCUIT BOARD (120vAC)	U0818306		20	FUSE, 24vAC/.5-amp/.25"x1.25"	U0818463	1
4	COVER, PUMP HOUSING	U0819143	1		FUSE, 120vAC/.25-amp/.25"x1.25"	U0818464	
5#	PUMP HEAD ASS'Y w/ LUBE	U8800651	REF	21	NORPRENE TUBE Ø.44" (VSP-20)	U0817811	1
5a	PUMP HEAD HOUSING	U0817134	1		NORPRENE TUBE Ø.38" (VSP-12)	U0818462	
5b	PUMP HEAD COVER	U0817133	1		VITON TUBE Ø.44"	U0818134	
5c	SPIDER ASS'Y	U0817219	1	+	VITON TUBE ASSY Ø.38"	U0818324	
5d	BEARING	U0817121	2	22	HOSE CLAMP	U0817742	2
6	SWITCH/ROCKER	U0817923	1	23	TUBE COLLAR (Ø.38/.44"-TUBE)	U0817123	2
7	POWER CORD ASS'Y (24vAC)	U0818320	1	25	INJECTION FITTING	U8800712	1
	POWER CORD ASS'Y (120vAC)	U0817998		26	STRAINER ASS'Y	J60552	1
8	STRAIN RELIEF	L9900700-000	1	27	STRAINER WEIGHT	L9906700-000	1
9	HOLE COVER	U0818083	1	28	TUBING, PE .25" x 15' COIL	U0818286	1
10				29*	TUBE KIT Ø.38" NORPRENE BLK. (VSP-12)	U8800700	REF
11				*	TUBE KIT Ø.44" NORPRENE BLK. (VSP-20)	U7013397	
12	COLLAR, PERI HEAD MOUNT	U0819132	2	30	KIT, LUBE PAD	U8800721	REF
13	SCREW, #8-18 x 1.0"lg.	L9806200-188	6				
14	SCREW, #8-32 x 1.250"lg.	U0818666	2				
15	WASHER, EXT. TOOTH #10	U0811297	2				
16	NUT, #8-32 x .12"-thk.	32946	3				

* = INCLUDES ITEMS #21-23.
 + = INCLUDES COLLARS (ITEM #23).
 # = INCLUDES ITEMS #5a thru 5d.
 NOTE: 1. TRANSFORMER, GROUND WIRE & POWER CORD PLUG ARE NOT PRESENT ON 24vAC VERSION PUMPS.



U0817972, REV.: A