

# PULSAFEEDER®

The Bracket Mount Mixer provides a means of mounting a mixer to a tank cover or other flat surface. Four 18/8 stainless steel bolts and two rugged 3/8" thick steel brackets hold the mixer securely in place, requiring no additional mixer supports.

## Construction

All mixers feature a 304 stainless steel shaft with an integral impeller (dual impellers standard on 48" shafts). Special epoxy and vinyl shaft coatings are available for applications where the solution being agitated is not compatible with 304 stainless steel. The shaft is coupled to the motor via a brass adapter which is held securely by four stainless steel set screws.

The mounting bracket is constructed of steel with a corrosion resistant coating and all fasteners are 18/8 stainless steel.

## Installation

**For use without mixer support:** Measure the impeller diameter and cut a hole of the appropriate size in the tank lid. Hole should be located so mixer shaft does not make contact with tank wall. Next place the motor (with brackets attached) so that the shaft is centered over the hole that was drilled in the proceeding step. Using the bracket holes as a guide, mark the tank cover. Remove mixer assembly. Drill holes large enough for the fasteners in the four marked locations. Reinstall the mixer assembly and fasten securely to the tank cover with the four bolts provided.

**Mounting with top support ring:** When the Tank System is ordered with a top support ring (TSR), a mounting plate is provided for the bracket mount mixer. The bracket assemblies are removed and the motor mounts directly to the mounting plate of the top support ring. Cut hole in tank lid to accommodate the mixer shaft.

## Features

- 304 SS Shaft
- Epoxy and Vinyl Shaft Coatings Are Available
- Shafts Cut to Length

## Operating Benefits

- Bracket mount eliminates the need for additional mixer support.
- Simple Installation.



## Aftermarket

- Double Wall Containment Tanks from 15 to 500 gallons.
- 1, 2, or 4 Drum Spill Containment Pallets.
- Metering Pumps.



## Bracket Mount Mixer

# Bracket Mount Mixer

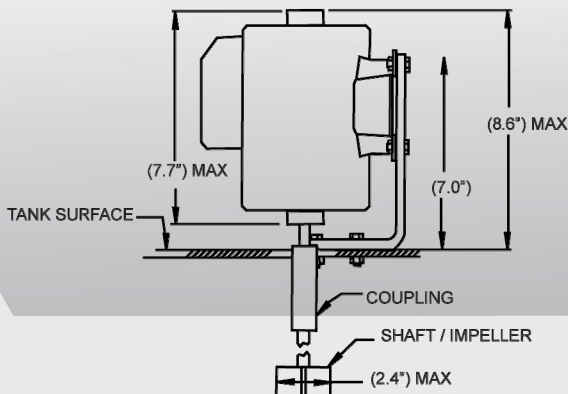
## Specifications and Model Selection

Mixers					
Mount	Motor Type	Model Number	Description	HP	Shaft Length
Bracket Mount	Totally Enclosed Air Open	42747	115V ONLY	1/15	28"
		42844	115V / Prewired	1/2	36"
		J42872	230V/60Hz / Prewired	1/2	36"
		J64080	230V/60Hz / Vinyl Coated	1/2	36"
		42779	115V/230V/60Hz / Vinyl Coated	1/2	44"
		42733	115V	1	48"

All Mixers are equipped with 308SS impeller  
 WHEN MIXING SODIUM HYPOCHLORITE, ORDER VINYL SHAFT COATING.  
 No Mixer on 15 gallon Tank. Mixer shafts will be cut to length on request.  
 For explosion proof motor consult factory.  
 \* Use only Tank Model 40365 or J40366 with 1/20 hp Mixers.

Engineering Data						
Motor Horsepower	1/15 HP	1/20 HP	1/4 HP	1/3 HP	1/2 HP	1 HP
RPM	1550	1550	1725	1725	1725	1725
Type	Totally Enclosed	Totally Enclosed	Totally Enclosed	Open	Totally Enclosed	Totally Enclosed
Voltage	115V	115V / 230V	115V / 230V	115V / 230V	115V / 230V / 50Hz	115V
Amperage	2.9	1.9 / 0.75	5.6 / 2.8	6.8 / 3.4	9.6 / 4.6	13.6
Motor Design:	Shaded Pole	Split Phase Ball Bearing Non Ventilated	Split Phase Ball Bearing	Split Phase Sleeve Bearing	Split Phase Ball Bearing	Split Phase Ball Bearing

### Mount Detail



**PULSAFEEDER**

27101 Airport Road  
 Punta Gorda, FL 33982  
 Phone: +1(941) 575-3800  
 Fax: +1(941) 575-4085

www.pulsatron.com



An ISO 9001 Certified Company

BMM001 B20

**IPEX**  
 FLUID & METERING